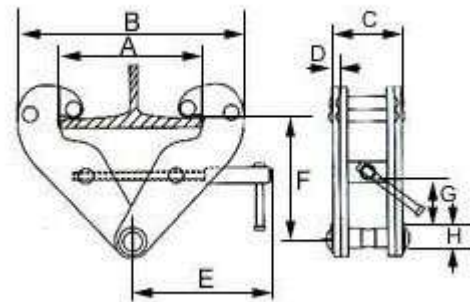




AllQuip Girder Clamps

- Robust all steel construction with safety operation.
- Compact and light weight.
- Easy to install with minimum headroom.
- Super-quick adjustment to any girder width in range.
- Manufactured to EN 13155:2003+A2

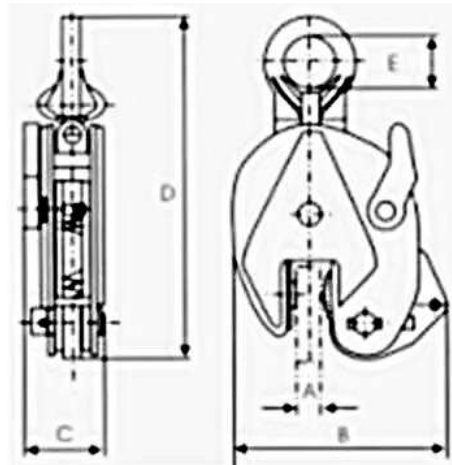


Dimensions

Model		GCL01	GCL02	GCL03	GCL05	GCL10	
Capacity	(kg)	1000	2000	3000	5000	10000	
Beam Width	A (mm)	Min	75	75	80	80	90
		Max	220	220	320	320	320
Dimensions	B (mm)	Max	360	360	490	490	505
		Min	180	180	235	235	320
	C (mm)		64	74	103	110	120
	D (mm)		5	6	8	10	12
	E (mm)		215	215	260	260	280
	F (mm)	Max	155	155	225	225	235
		Min	102	102	140	140	170
	G		25	25	45	45	80
H (mm)		22	22	24	28	40	
Net Weight	(kg)	4.5	5	10.5	11	16	



AllQuip Universal Plate Clamps



- Capacity form 0.75T to 5T
- Forged head and forged gear set ensure durability and safety
- Gripper is HRC 52-57 for longer life.

Dimensions

Model	Capacity (kgs)	Max. Jaw opening A (mm)	B	C	D	E	Net weight (kg)
PLCU0.75	750	0-15	105	45	218	30	2
PLCU1.0	1000	0-20	170	60	370	60	7.4
PLCU2.0	2000	0-25	175	68	375	60	7.8
PLCU3.0	3000	0-30	195	102	418	60	16
PLCU5.0	5000	0-40	225	95	425	60	23

When using Universal Plate Clamps to lift plates from the horizontal position, the toothed cam should be on the top of the plate so that the cam presses downwards.

When using clamps as a pair with a 2 leg chain sling the lifting capacity is as follows

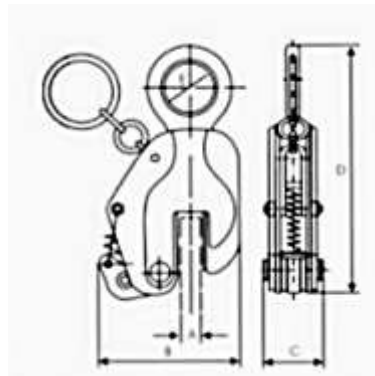
0° to 60° - 100% of capacity

60° to 90° - 75% of capacity

90° to 120° - 50% of capacity



AllQuip Vertical Plate Clamps



- Capacity form 0.75T to 5T
- Forged head and forged gear set ensure durability and safety
- Gripper is HRC 52-57 for longer life.

Dimensions

Model	Capacity (kgs)	Max. Jaw opening A (mm)	B	C	D	E	Net weight (kg)
PLCV0.75	750	0-16	117	58	220	40	3
PLCV1.0	1000	0-22	123	65	275	50	3.6
PLCV2.0	2000	0-30	155	79	319	50	5.5
PLCV3.0	3000	0-40	182	90	356	50	11
PLCV5.0	5000	0-50	222	92	424	60	16.5