

Product

- Avid® single lever basin mixer - super tall

Kohler Code

97348T-4ND*



NOTE: Polished Chrome version shown

Included Components

- Braided stainless steel hoses

Features

- Polished Chrome or PVD Titanium finish
- Metal construction
- Ceramic disc cartridge
- Suitable for mains pressure
- KOHLER finishes resist tarnishing and corrosion



WELS RATING
(5 Star 6.0 Litres / min)

Finish Options (Colour swatches indicative only)



97348T-4ND-CP - Polished Chrome

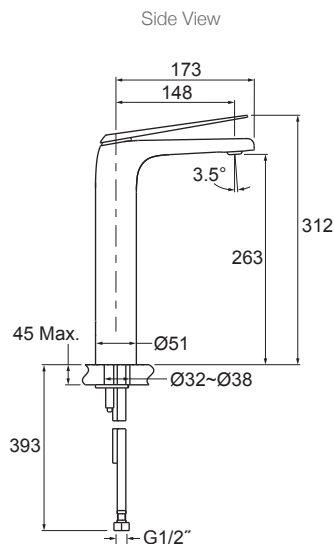


97348T-4ND-TT - PVD Titanium

Related Products

- Avid accessories
- Avid tapware

Technical Details



G½" is equal to BSP½"

Installation Notes:

- Optimum working pressure 300-500 kPa.
- Maximum hydrostatic pressure 800 kPa (This pressure may be exceeded only under test conditions).
- Maximum temperature 80°C.
- Maximum bench thickness is 45mm.
- Where normal working pressure exceeds the maximum, pressure limiting valves should be installed.
- Inline filters should be used to protect tapware from debris that may be present within the plumbing.