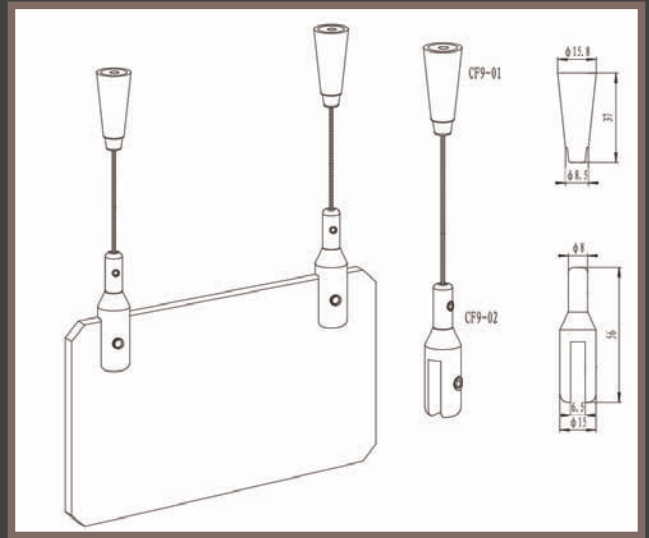
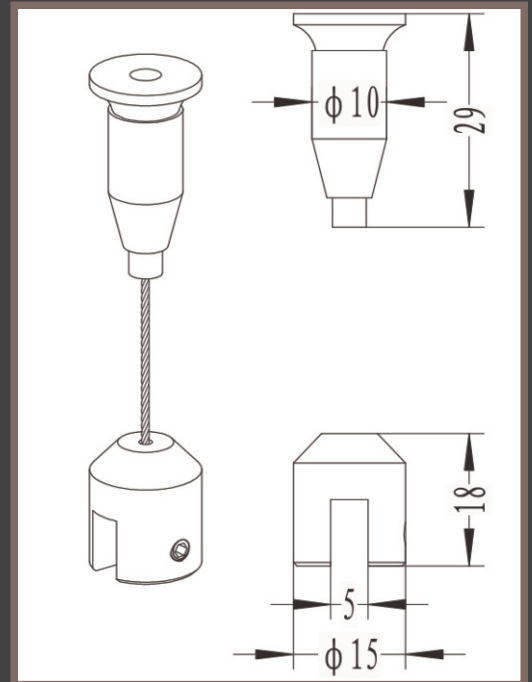


HANGING KIT



SIGN - HANGER

Item No.	Cable	Material	Colour
DP-CF9-KIT	1.5mm*1m cable	Aluminium/Brass	Satin / Polished Chrome
DP-CF16-KIT	1.5mm*1m cable	Stainless Steel	Natural



LETTER - MOUNT

Item No.	size	Material	Colour
DP-V-500	20mm sign mount		Clear

