

SBS SERIES



S Beam - Load Cell 500 kg / 1t / 2t / 5t



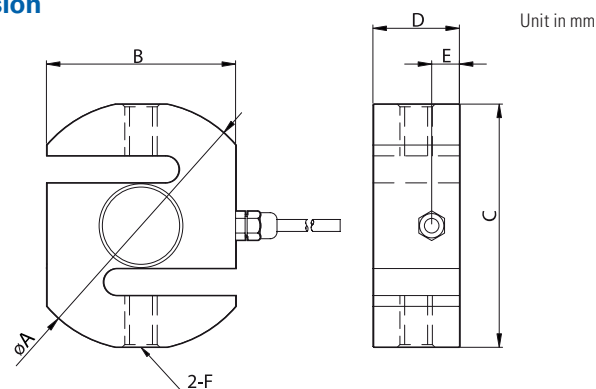
- Stainless Steel
- Protection Class IP68
- Option: Ex ia IIC T6
- Tension Type load cell



Technical Specifications

Max Capacity (rated load)	kgf	500kg, 1t, 2t, 5t
Rated Output	mV / V	2.0 ± 0.002
Zero Balance	mV / V	0.0 ± 0.02
Accuracy Class	-	-
Combined Error	% R.O.	0.05
Repeatability	% R.O.	0.01
Creep for 30min.	% R.O.	0.03
Resolution	-	≤1/2000
Division	mV/V	0.001
Temperature Effect on - Zero Value	%/10 °C	0.03
Temperature Effect on - Output Value	%/10 °C	0.014
Excitation - Recommended	V	10
Excitation - Maximum	V	15
Resistance - Input	Ω	400 ± 25
Resistance - Output	Ω	350 ± 3.5
Resistance - Insulation	MΩ	> 2000
Compensated Temperature Range	°C	-10 +40
Operating Temperature Range	°C	-30 +80
Safety Overload	% R.L	150%
Cable Specification	-	ø5.4 x 4p x 5M (Urethane-Jacket, EXP: Gray)

Dimension

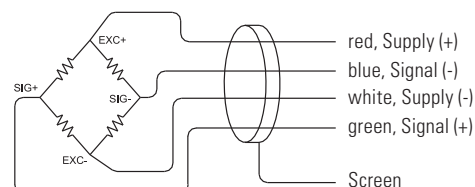


Capacity	A	B	C	D	E	F
500kg						M12 X 1.75
1t	92	70	90	32	10.3	M18 X 1.5
2t						
5t	130	100	120.0	45.0	15.0	M24 X 2.0

Options

- Rod End (500kg: M12 x 1.75)
- Rod End (1t~2t: M18 x1.5)
- Rod End (5t: M24 x1.5)

Strain Gauge Connection



UNIT 8, NORTHLINK, 459 TUFNELL ROAD
BANYO QLD 4014, AUSTRALIA

TEL: +61 (0)7 3267 7767 FAX: +61 (0)7 32 67 1818

EMAIL: sales@cassscale.com.au

<http://www.cassscale.com.au>

Specifications are subject to change for improvement without prior notice.

