

MNT SERIES



Miniature - Load Cell 50kg / 100kg / 200kg / 500kg



- Stainless steel
- Tension application

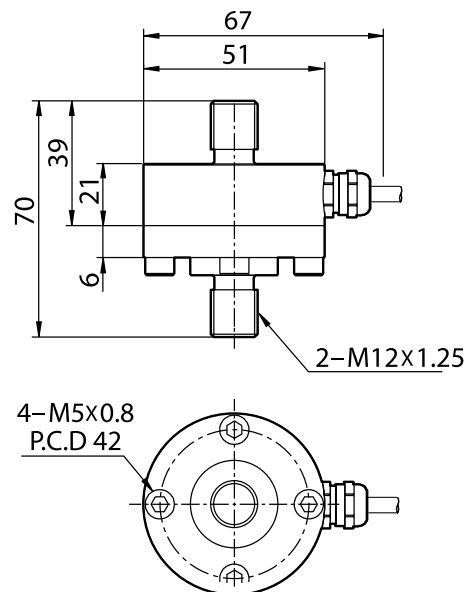


Technical Specifications

Max Capacity (rated load)	kgf	50kg, 100kg, 200kg, 500kg,
Rated Output	mV / V	2.0 ± 0.005
Zero Balance	mV / V	0.0 ± 0.06
Accuracy Class	-	-
Combined Error	% R.O.	0.15
Repeatability	% R.O.	0.05
Creep for 30min.	% R.O.	0.1
Resolution	-	≤1/600
Division	mV/V	0.003
Temperature Effect on - Zero Value	%/10 °C	0.05
Temperature Effect on - Output Value	%/10 °C	0.1
Excitation - Recommended	V	10
Excitation - Maximum	V	15
Resistance - Input	Ω	420 ± 30
Resistance - Output	Ω	350 ± 3.5
Resistance - Insulation	MΩ	> 2000
Compensated Temperature Range	°C	-10 to +40
Operating Temperature Range	°C	-20 to +80
Safety Overload	% R.L	150%
Cable Specification	-	ø5.4 x 4p x 3M

Dimension

Unit in mm



CAS

UNIT 8, NORTHLINK, 459 TUFNELL ROAD
BANYO QLD 4014, AUSTRALIA

TEL: +61 (0)7 3267 7767 FAX: +61 (0)7 32 67 1818

EMAIL: sales@cassscale.com.au

<http://www.cassscale.com.au>

Specifications are subject to change for improvement without prior notice.