

HBS SERIES



Shear Beam - Load Cell
20kg / 50kg / 100kg
200kg / 500kg



- All Stainless Steel construction
- Option : Ex ia IIC T6 approved (20~500kgf)

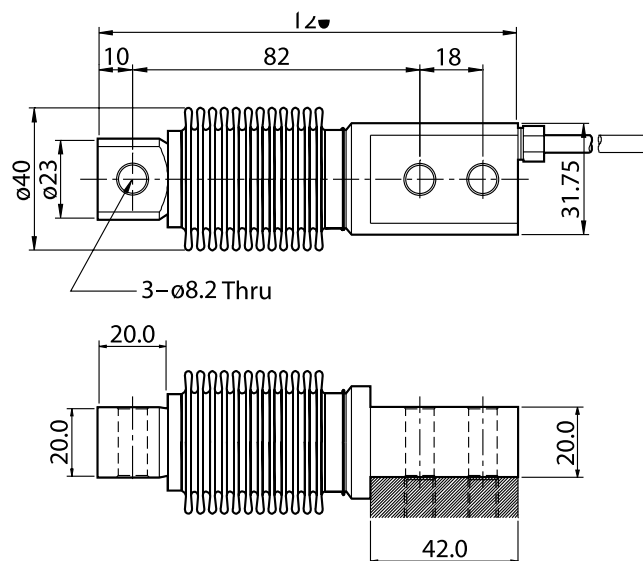


Technical Specifications

Max Capacity (rated load)	kgf	20kg, 50kg, 100kg, 200kg, 500kg
Rated Output	mV / V	2.0 ± 0.005
Zero Balance	mV / V	0.0 ± 0.02
Accuracy Class	-	C3
Combined Error	% R.O.	0.02
Repeatability	% R.O.	0.01
Creep for 30min.	% R.O.	0.017
Resolution	-	≤1/5000
Division	mV/V	0.0002
Temperature Effect on - Zero Value	%/10 °C	0.014
Temperature Effect on - Output Value	%/10 °C	0.011
Excitation - Recommended	V	10
Excitation - Maximum	V	15
Resistance - Input	Ω	400 ± 20
Resistance - Output	Ω	350 ± 3.5
Resistance - Insulation	MΩ	> 2000
Compensated Temperature Range	°C	-10 to + 40
Operating Temperature Range	°C	-30 to + 80
Safety Overload	% R.L	150%
Cable Specification	-	ø5.4 x 4p x 3M (Urethane)

Dimension

Unit in mm



Options

- Ball type accessory

CAS

UNIT 8, NORTHLINK, 459 TUFNELL ROAD
 BANYO QLD 4014, AUSTRALIA

TEL: +61 (0)7 3267 7767 FAX: +61 (0)7 32 67 1818

EMAIL: sales@cassscale.com.au

<http://www.cassscale.com.au>

Specifications are subject to change for improvement without prior notice.