

BS SERIES



Shear Beam - Load Cell

500kg / 1t / 2t

3t / 5t / 10t



- Nickel Plated Steel
- High Accuracy
- Platform Size, Without limit

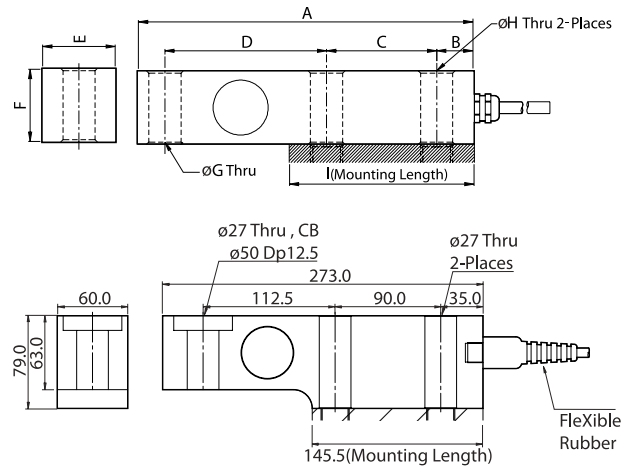


Technical Specifications

Max Capacity (rated load)	kgf	500kg	1t, 2t, 3t, 5t, 10t
Rated Output	mV / V	1.5 ± 0.0037	2.0 ± 0.005
Zero Balance	mV / V	0.0 ± 0.015	0.0 ± 0.02
Accuracy Class	-	-	-
Combined Error	% R.O.	0.03	
Repeatability	% R.O.	0.01	
Creep for 30min.	% R.O.	0.03	
Resolution	-	≤1/3000	
Division	mV/V	0.0005	0.00067
Temperature Effect on - Zero Value	%/10 °C	0.028	
Temperature Effect on - Output Value	%/10 °C	0.015	
Excitation - Recommended	V	10	
Excitation - Maximum	V	15	
Resistance - Input	Ω	400 ± 20	
Resistance - Output	Ω	350 ± 5	
Resistance - Insulation	MΩ	> 2000	
Compensated Temperature Range	°C	-10 to +40	
Operating Temperature Range	°C	-20 to +80	
Safety Overload	% R.L	150%	
Cable Specification	-	ø5.4 x 4p x3M (Urethane)	

Dimension

Unit in mm



Capacity	A	B	C	D	E	F	G	H	I
500kg									
1t	145.0	20.0	40.0	72.0	34.0	30.0	16.0	14.5	80.0
2t									
5t	205.0	25.0	55.0	105.0	48.0	38.0	20.5	20.5	105.0

Options

- Loading bolt type accessory
- Ballcup type accessory



UNIT 8, NORTHLINK, 459 TUFNELL ROAD
BANYO QLD 4014, AUSTRALIA

TEL: +61 (0)7 3267 7767 FAX: +61 (0)7 32 67 1818

EMAIL: sales@cassscale.com.au

http://www.cassscale.com.au

Specifications are subject to change for improvement without prior notice.

