

BCL SERIES



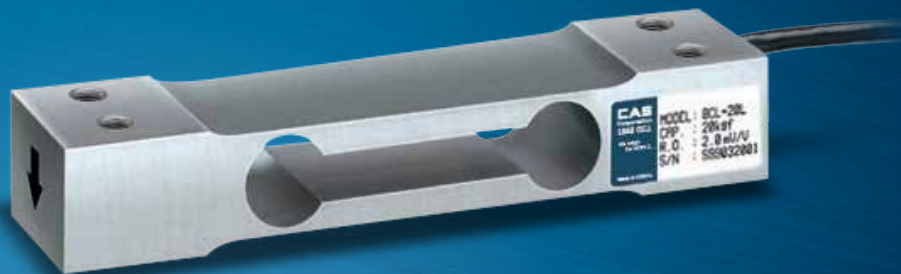
Single Point - Load Cell

1kg / 2kg / 3kg

6kg / 10kg / 15kg

20kg / 30kg / 60kg

100kg / 150kg / 200kg



- Anodized Aluminium
- Off center compensated
- Max. Platform 400 x 400 mm

IP65
Dust proof and
water-protected

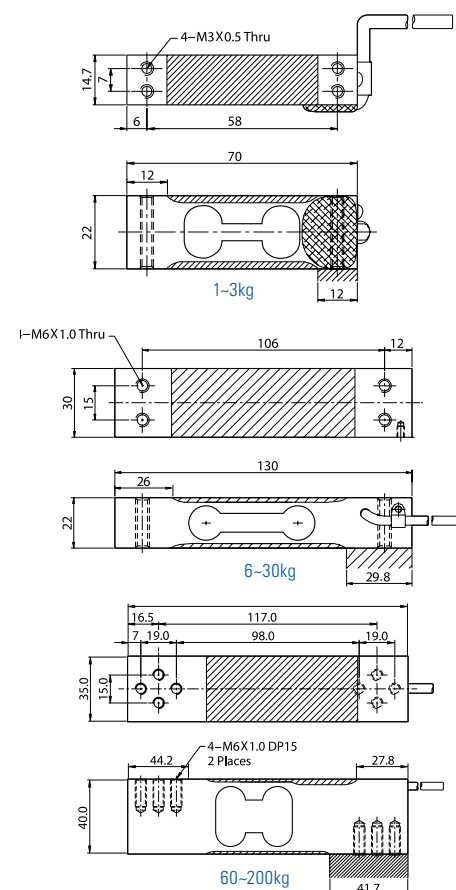


Technical Specifications

Max Capacity (rated load)	kgf	1kg, 2kg, 3kg	6kg, 10kg, 15kg, 20kg, 30kg	60kg, 100kg, 150kg, 200kg
Rated Output	mV / V	1.0 ± 0.1	2.0 ± 0.2	2.0 ± 0.2
Zero Balance	mV / V	0.0 ± 0.05	0.0 ± 0.1	0.0 ± 0.1
Accuracy Class	-	-	C3	-
Combined Error	% R.O.	0.03	0.025	0.03
Repeatability	% R.O.	0.01	0.01	0.01
Creep for 30min.	% R.O.	0.03	0.017	0.03
Resolution	-	≤1/3000	≤1/4000	≤1/3000
Division	mV/V	0.00033	0.0005	0.00067
Temperature Effect on - Zero Value	%/10 °C	0.028	0.014	0.028
Temperature Effect on - Output Value	%/10 °C	0.014	0.011	0.014
Excitation - Recommended	V	10	10	10
Excitation - Maximum	V	15	15	15
Resistance - Input	Ω	400 ± 20	400 ± 20	400 ± 20
Resistance - Output	Ω	350 ± 3.5	350 ± 3.5	350 ± 3.5
Resistance - Insulation	MΩ	> 2000	>2000	>2000
Compensated Temperature Range	°C	-10 to +40	-10 to +40	-10 to +40
Operating Temperature Range	°C	-20 to +70	-20 to +70	-20 to +70
Safety Overload	% R.L	150%	150%	150%
Cable Specification	-	ø4 x 4p x 60cm (P.V.C)	ø4 x 4p x 60cm (P.V.C)	ø4 x 4p x 2M (P.V.C)
Platform Size	mm	200 x 200	300 x 300	400 x 400

Dimensions

Unit in mm



CAS

UNIT 8, NORTHLINK, 459 TUFNELL ROAD
BANYO QLD 4014, AUSTRALIA

TEL: +61 (0)7 3267 7767 FAX: +61 (0)7 32 67 1818

EMAIL: sales@cassscale.com.au

<http://www.cassscale.com.au>

Specifications are subject to change for improvement without prior notice.