

Lead-Carbon Battery

LLC-600



power the future



• Main Applications

- Renewable energy (wind & solar) storage system
- Peak shifting of electrical power system
- Frequency regulation and Load following service
- Smart-grid & micro-grid sites
- Off-grid & bad-grid sites

• Benefits

- Extra long life design, design life is 10-15 years
- Superior PSoC and deep cycling performance
- Excellent quick charge performance, reduce charging time by 30%
- High potential fuel savings when used with hybrid genset applications

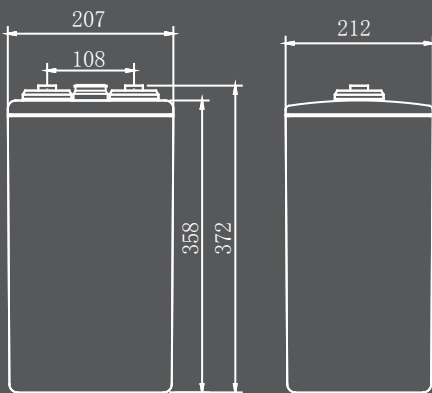
• Technical Features

- Comply with GB/T 22473、BS EN61427-1: 2013、IEC61427-2: 2015、UL、CE standards,etc
- Adopt lead carbon technology, reduce the cathode sulphation, ideal for PSoC cycle application and can deliver 4~5 times better cyclic life compared with normal VRLA
- Better charge acceptability and faster recharge performance
- Exquisite design for premium quality, high reliability and stability

• Technical Parameters

Normal Voltage	2V
Capacity	600 Ah @10hr to 1.80V per cell @ 25°C(77°F)
Weight	41.5 kg (91.5 lbs)
Dimensions	Length: 212 mm (8.35 in) Width: 207 mm (8.15 in) Height: 358 mm (14.09 in) Total height: 372 mm (14.65 in)
Internal Resistance (full charged)	0.27mΩ (According to IEC 60896-21)
Short- circuit current	7800A (According to IEC 60896-21)
Self Discharge @ 25°C(77°F)	Less than 4 % after 30 days storage
Operating Temperature Range	Discharge: -40°C ~ 50°C(-40°F ~ 122°F) Charge: -20°C ~ 45°C(-4°F ~ 113°F) Storage: -20°C ~ 40°C(-4°F ~ 104°F)
Recommended Operating Temperature	15°C ~ 25°C(59°F ~ 77°F)
Recommended Charging Current	90A
Charging Voltage @25°C(77°F)	2.30~2.35 V/cell
Terminal	M8
Capacity Affected by Temperature(C ₁₀)	105 % @ 40°C 90 % @ 0°C 40 % @ -20°C
Design life @25°C(77°F)	10-15 years

• Dimensions:



• Compliant standards :

- ☀ GB/T 22473-2008
- ☀ BS EN 61427-1: 2013
- ☀ IEC 61427-2: 2015
- ☀ IEC 60896-21/22

• Attain certificate :

- ☑ IEC 61427
- ☑ IEC 60896
- ☑ UL
- ☑ CE

Lead-Carbon Battery

LLC-600



power the future



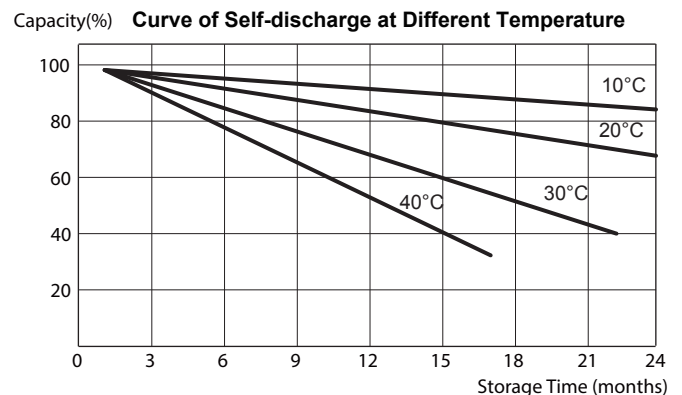
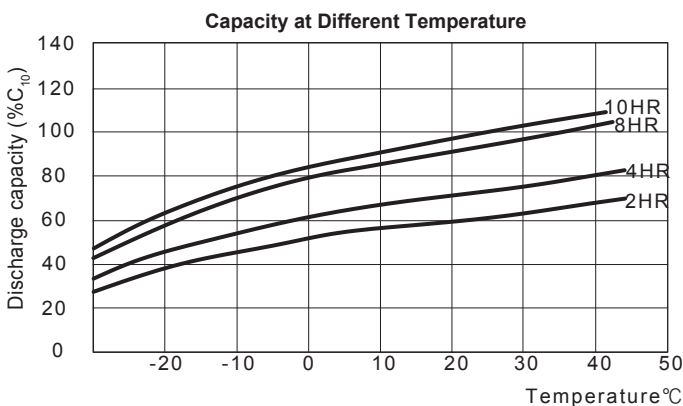
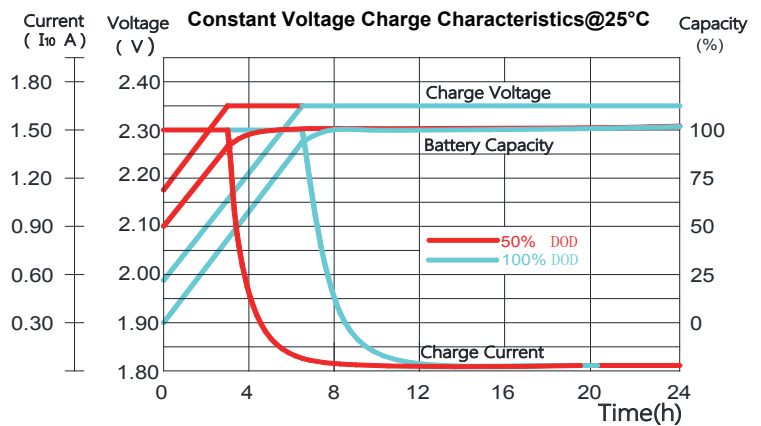
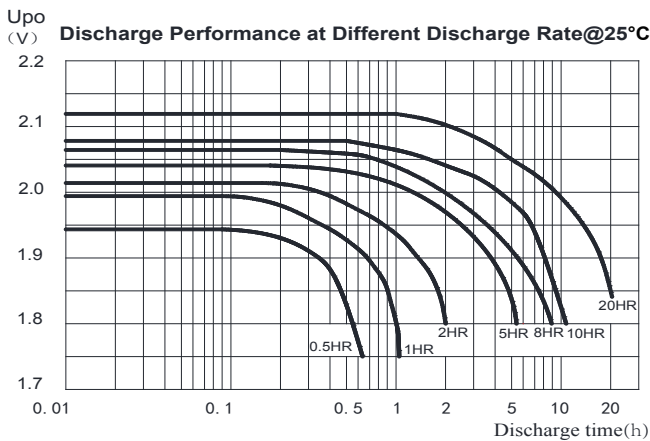
Constant Current Discharge Characteristics Unit: A (25°C, 77°F)

F.V/Time	15min	30min	1hr	3hr	5hr	8hr	10hr	20hr	100hr
1.75V	784.6	500.4	340.0	158.0	110.5	77.4	64.6	34.7	7.75
1.80V	642.7	469.1	317.6	153.3	108.0	75.8	63.0	34.1	7.62
1.85V	565.4	418.1	287.1	145.0	104.3	73.7	61.3	32.9	7.37
1.90V	481.2	359.1	254.1	135.4	100.3	70.9	59.3	32.2	7.18

Constant Power Discharge Characteristics Unit: W (25°C, 77°F)

F.V/Time	15min	30min	1hr	3hr	5hr	8hr	10hr	20hr	100hr
1.75V	1247	997	685	323	216	151	126	72.52	16.20
1.80V	1188	961	669	312	210	146	124	71.21	15.92
1.85V	1082	855	608	296	203	142	119	68.41	15.33
1.90V	940	722	525	274	197	132	110	66.25	14.79

Performance curve :



Declaration: This information is generally descriptive only and is not intended to make or imply any representation, guarantee or warranty with respect to any cells and batteries. Cell and battery designs/specifications are subject to modification without notice. Contact CHINASHOTO for the latest information.

shoto Welcome to Visit: www.chinashoto.com