

Lead-Carbon Battery

LLC-500



power the future



• Main Applications

- Renewable energy (wind & solar) storage system
- Peak shifting of electrical power system
- Frequency regulation and Load following service
- Smart-grid & micro-grid sites
- Off-grid & bad-grid sites

• Benefits

- Extra long life design, design life is 10-15 years
- Superior PSoC and deep cycling performance
- Excellent quick charge performance, reduce charging time by 30%
- High potential fuel savings when used with hybrid genset applications

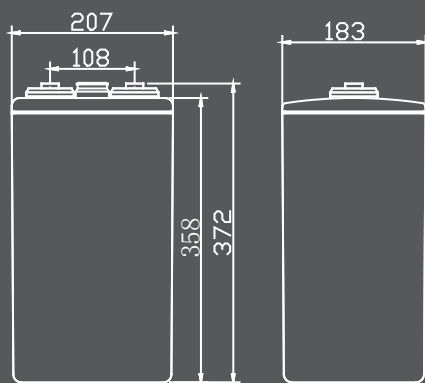
• Technical Features

- Comply with GB/T 22473、BS EN61427-1: 2013、IEC61427-2: 2015、UL、CE standards,etc
- Adopt lead carbon technology, reduce the cathode sulphation, ideal for PSoC cycle application and can deliver 4~5 times better cyclic life compared with normal VRLA
- Better charge acceptability and faster recharge performance
- Exquisite design for premium quality, high reliability and stability

• Technical Parameters

Normal Voltage	2V
Capacity	500 Ah @10hr to 1.80V per cell @ 25°C(77°F)
Weight	35.5 kg (78.1 lbs)
Dimensions	Length: 183 mm (7.20 in) Width: 207 mm (8.15 in) Height: 358 mm (14.09 in) Total height: 372 mm (14.65 in)
Internal Resistance (full charged)	0.28mΩ (According to IEC 60896-21)
Short- circuit current	7500A (According to IEC 60896-21)
Self Discharge @ 25°C(77°F)	Less than 4 % after 30 days storage
Operating Temperature Range	Discharge: -40°C ~ 50°C(-40°F ~ 122°F) Charge: -20°C ~ 45°C(-4°F ~ 113°F) Storage: -20°C ~ 40°C(-4°F ~ 104°F)
Recommended Operating Temperature	15°C ~ 25°C(59°F ~ 77°F)
Recommended Charging Current	75A
Charging Voltage @25°C(77°F)	2.30~2.35 V/cell
Terminal	M8
Capacity Affected by Temperature(C ₁₀)	105 % @ 40°C 90 % @ 0°C 40 % @ -20°C
Design life @25°C(77°F)	10-15 years

• Dimensions:



• Compliant standards :

- ★ GB/T 22473-2008
- ★ BS EN 61427-1: 2013
- ★ IEC 61427-2: 2015
- ★ IEC 60896-21/22

• Attain certificate :

- ☑ IEC 61427
- ☑ IEC 60896
- ☑ UL
- ☑ CE

Lead-Carbon Battery

LLC-500



power the future



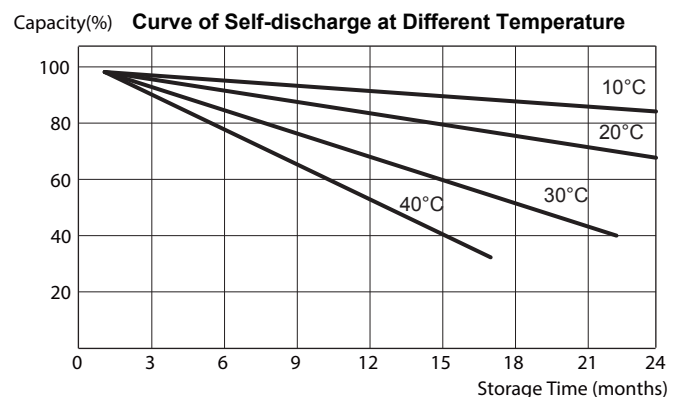
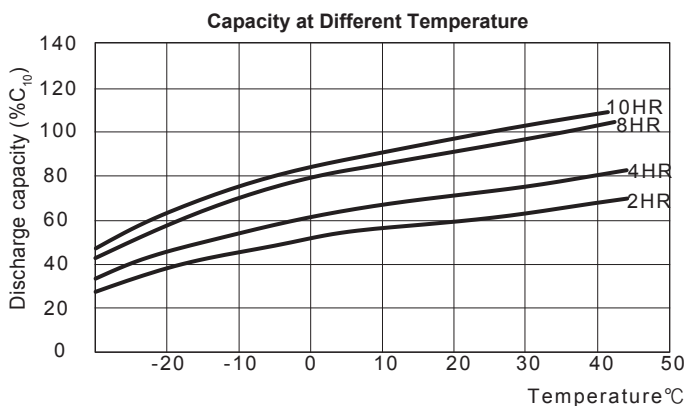
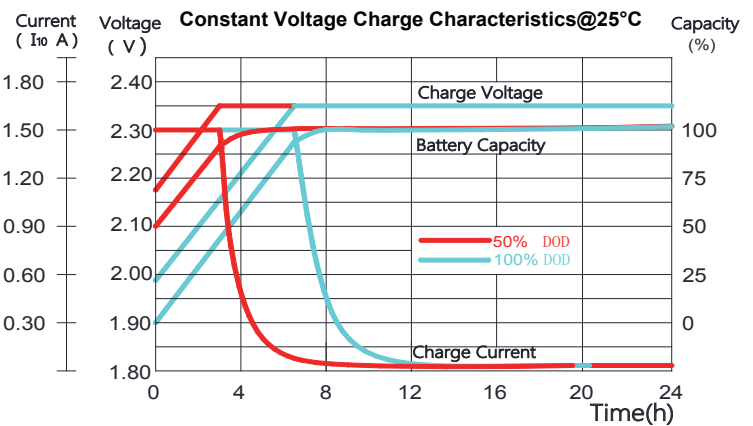
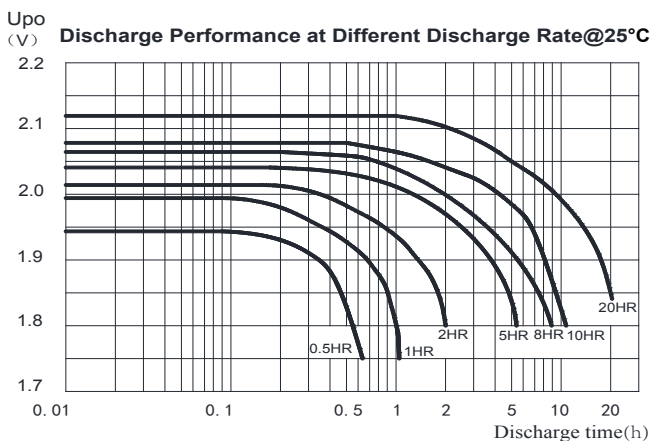
Constant Current Discharge Characteristics Unit: A (25°C, 77°F)

F.V/Time	15min	30min	1hr	3hr	5hr	8hr	10hr	20hr	100hr
1.75V	680.0	432.0	289.0	133.0	92.1	64.5	53.8	28.9	6.44
1.80V	557.0	405.0	270.0	129.0	90.0	63.2	52.5	28.4	6.34
1.85V	490.0	361.0	244.0	122.0	86.9	61.4	51.1	27.4	6.13
1.90V	417.0	310.0	216.0	114.0	83.6	59.1	49.4	26.8	5.97

Constant Power Discharge Characteristics Unit: W (25°C, 77°F)

F.V/Time	15min	30min	1hr	3hr	5hr	8hr	10hr	20hr	100hr
1.75V	1081	861	582	272	180	126	105	60.43	13.47
1.80V	1030	830	569	263	175	122	103	59.34	13.24
1.85V	938	738	517	249	169	118	99	57.00	12.75
1.90V	815	623	446	231	164	110	92	55.21	12.30

Performance curve :



Declaration: This information is generally descriptive only and is not intended to make or imply any representation, guarantee or warranty with respect to any cells and batteries. Cell and battery designs/specifications are subject to modification without notice. Contact CHINASHOTO for the latest information.

Logo icon Welcome to Visit: www.chinashoto.com