

Lead-Carbon Battery

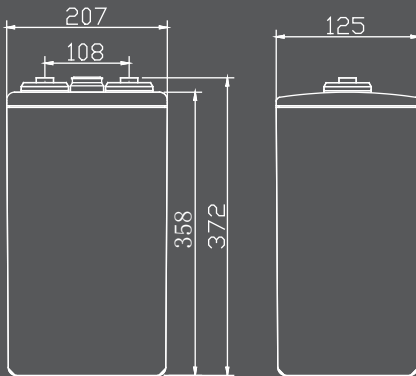
LLC-300



power the future



• Dimensions :



• Compliant standards :

- ★ GB/T 22473-2008
- ★ BS EN 61427-1: 2013
- ★ IEC 61427-2: 2015
- ★ IEC 60896-21/22

• Attain certificate :

- ☑ IEC 61427
- ☑ IEC 60896
- ☑ UL
- ☑ CE

• Main Applications

- Renewable energy (wind & solar) storage system
- Peak shifting of electrical power system
- Frequency regulation and Load following service
- Smart-grid & micro-grid sites
- Off-grid & bad-grid sites

• Benefits

- Extra long life design, design life is 10-15 years
- Superior PSoC and deep cycling performance
- Excellent quick charge performance, reduce charging time by 30%
- High potential fuel savings when used with hybrid genset applications

• Technical Features

- Comply with GB/T 22473、BS EN61427-1: 2013、IEC61427-2: 2015、UL、CE standards,etc
- Adopt lead carbon technology, reduce the cathode sulphation, ideal for PSoC cycle application and can deliver 4~5 times better cyclic life compared with normal VRLA
- Better charge acceptability and faster recharge performance
- Exquisite design for premium quality, high reliability and stability

• Technical Parameters

Normal Voltage	2V
Capacity	300 Ah @10hr to 1.80V per cell @ 25°C(77°F)
Weight	23.4 kg (51.6 lbs)
Dimensions	Length: 125 mm (4.92 in) Width: 207 mm (8.15 in) Height: 358 mm (14.09 in) Total height: 372 mm (14.65 in)
Internal Resistance (full charged)	0.32mΩ (According to IEC 60896-21)
Short- circuit current	6500A (According to IEC 60896-21)
Self Discharge @ 25°C(77°F)	Less than 4 % after 30 days storage
Operating Temperature Range	Discharge: -40°C ~ 50°C(-40°F ~ 122°F) Charge: -20°C ~ 45°C(-4°F ~ 113°F) Storage: -20°C ~ 40°C(-4°F ~ 104°F)
Recommended Operating Temperature	15°C ~ 25°C(59°F ~ 77°F)
Recommended Charging Current	45A
Charging Voltage @25°C(77°F)	2.30~2.35 V/cell
Terminal	M8
Capacity Affected by Temperature(C ₁₀)	105 % @ 40°C 90 % @ 0°C 40 % @ -20°C
Design life @25°C(77°F)	10-15 years

Lead-Carbon Battery

LLC-300



power the future



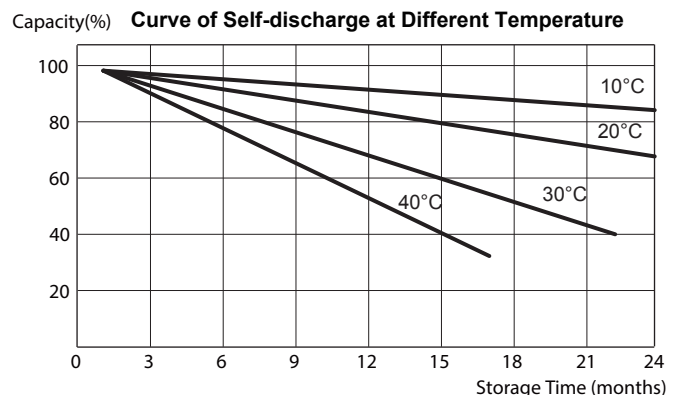
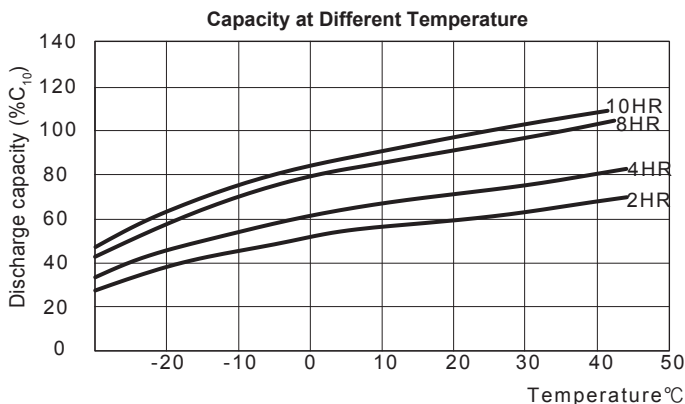
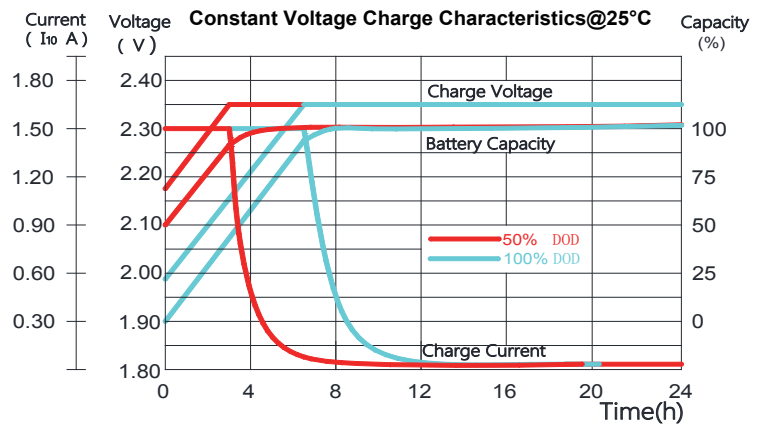
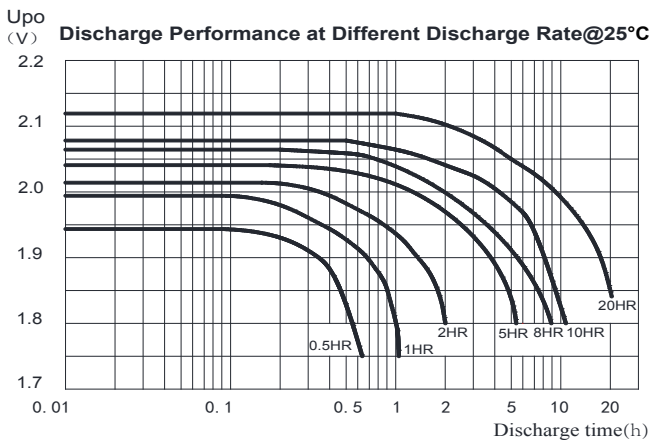
• Constant Current Discharge Characteristics Unit: A (25°C, 77°F)

F.V/Time	15min	30min	1hr	3hr	5hr	8hr	10hr	20hr	100hr
1.75V	408.0	259.2	173.4	79.8	55.3	38.7	32.3	17.3	3.90
1.80V	334.2	243.0	162.0	77.4	54.0	37.9	31.5	17.0	3.83
1.85V	294.0	216.6	146.4	73.2	52.1	36.8	30.7	16.4	3.71
1.90V	250.2	186.0	129.6	68.4	50.2	35.5	29.6	16.1	3.61

• Constant Power Discharge Characteristics Unit: W (25°C, 77°F)

F.V/Time	15min	30min	1hr	3hr	5hr	8hr	10hr	20hr	100hr
1.75V	649	517	349	163	108	76	63	36.26	8.14
1.80V	618	498	341	158	105	73	62	35.60	8.01
1.85V	563	443	310	149	101	71	59	34.20	7.71
1.90V	489	374	268	139	98	66	55	33.12	7.44

• Performance curve :



Declaration: This information is generally descriptive only and is not intended to make or imply any representation, guarantee or warranty with respect to any cells and batteries. Cell and battery designs/specifications are subject to modification without notice. Contact CHINASHOTO for the latest information.

Welcome to Visit: www.chinashoto.com